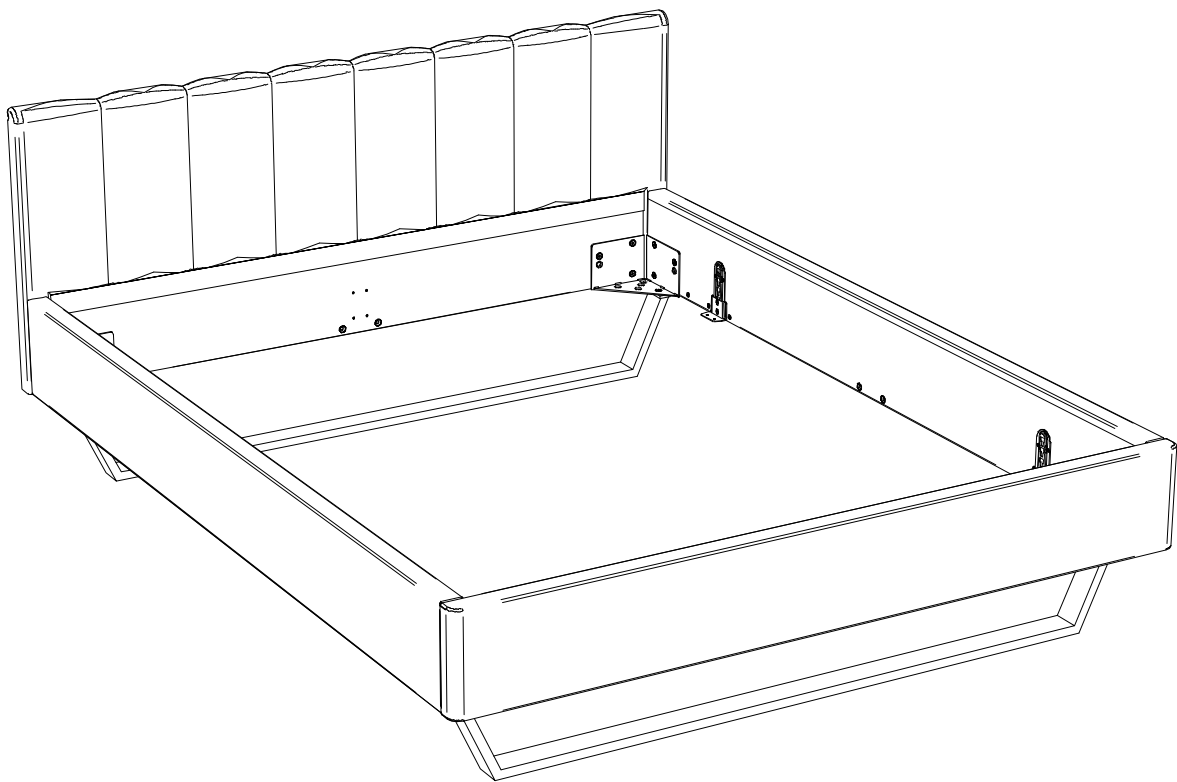
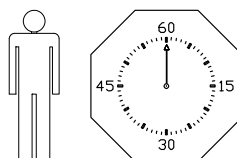
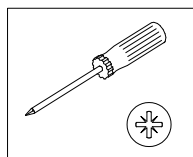

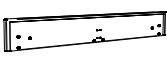
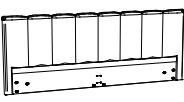
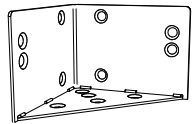
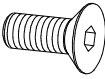
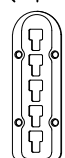
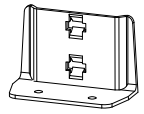
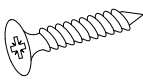

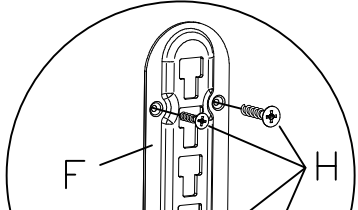


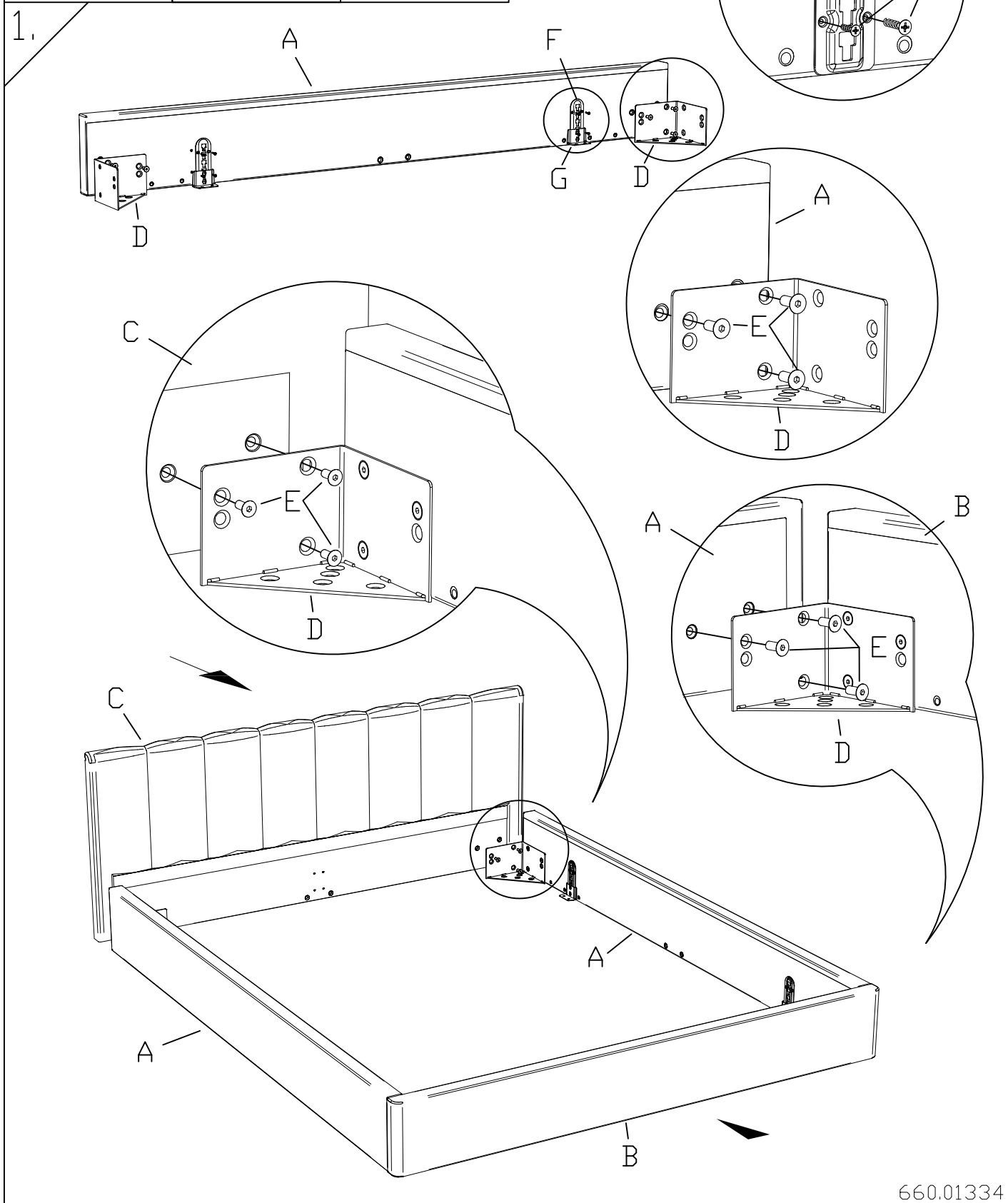
# Stefano



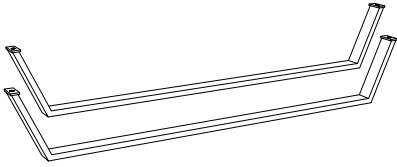
Benötigte Werkzeuge – Outils Nécessaires – Tools Required – Attrezzi Necessari



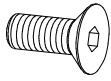
<p>A x2</p> 	<p>B x1</p> 	<p>C x1</p> 	<p>D x4</p>  <p>630.10142</p>	<p>E x24 M8x20</p>  <p>631.87200</p>	<p>F x4</p>  <p>630.141</p>
<p>G x4</p>  <p>630.142</p>	<p>H x16</p>  <p>631.303</p>	<p>Z x1</p>  <p>631.10000</p>			



I x2

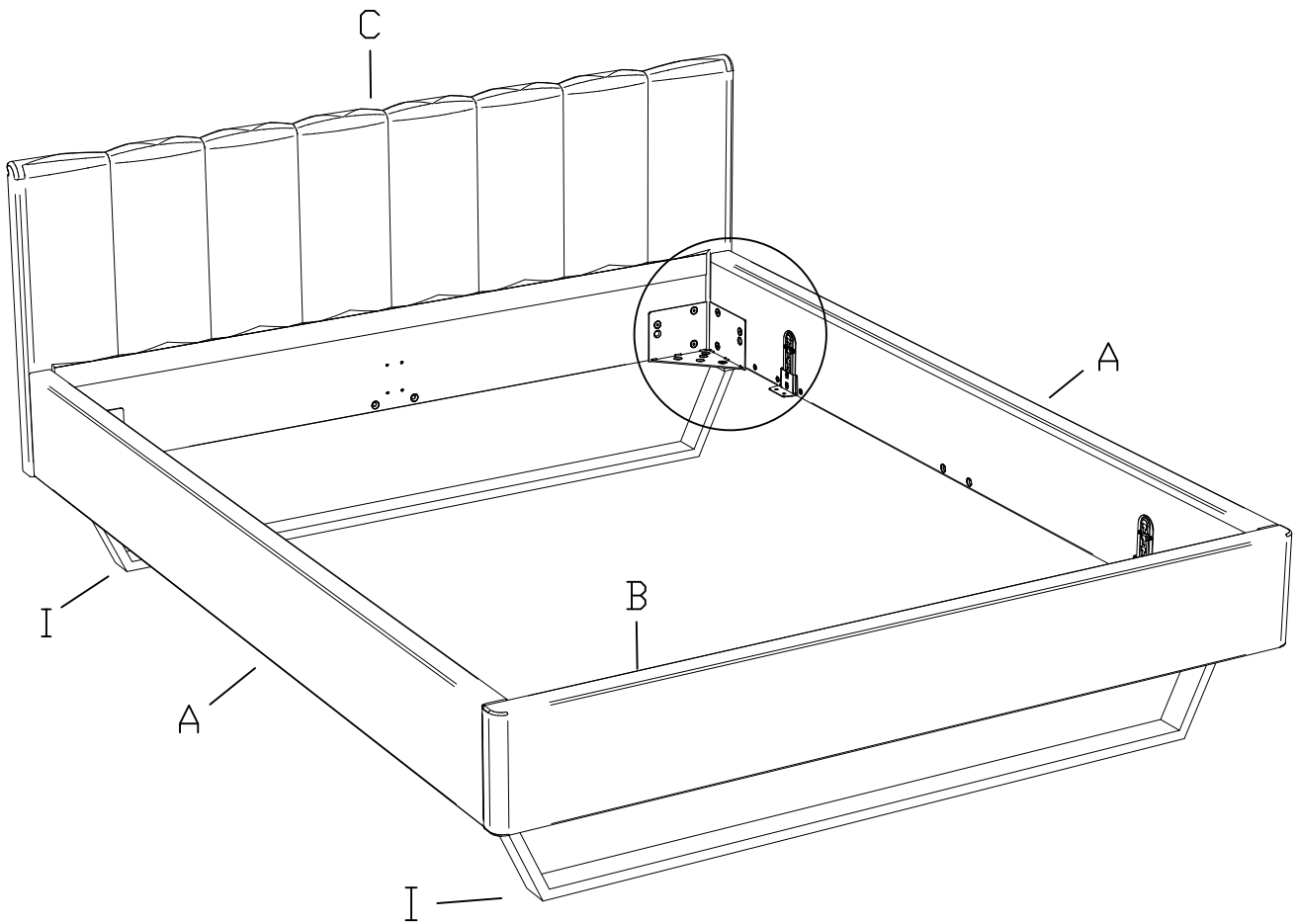
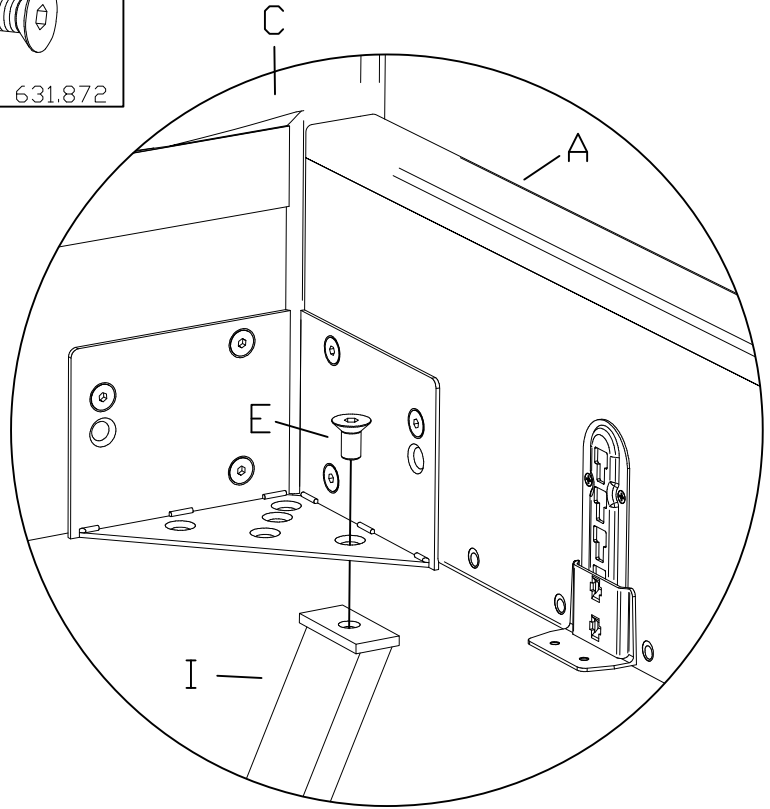


E x4  
M8x20



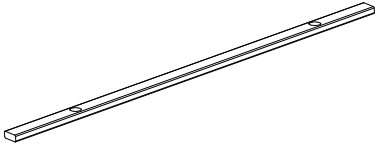
631.872

2.

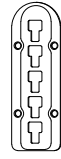


bei Breiten ab 160cm  
for widths from 160cm  
à partir des dimensions 160cm  
della misura 160cm

L x1

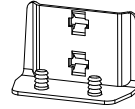


M x2



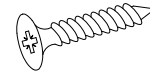
630.141

N x2



630.143

H x8



631.303

□ x4



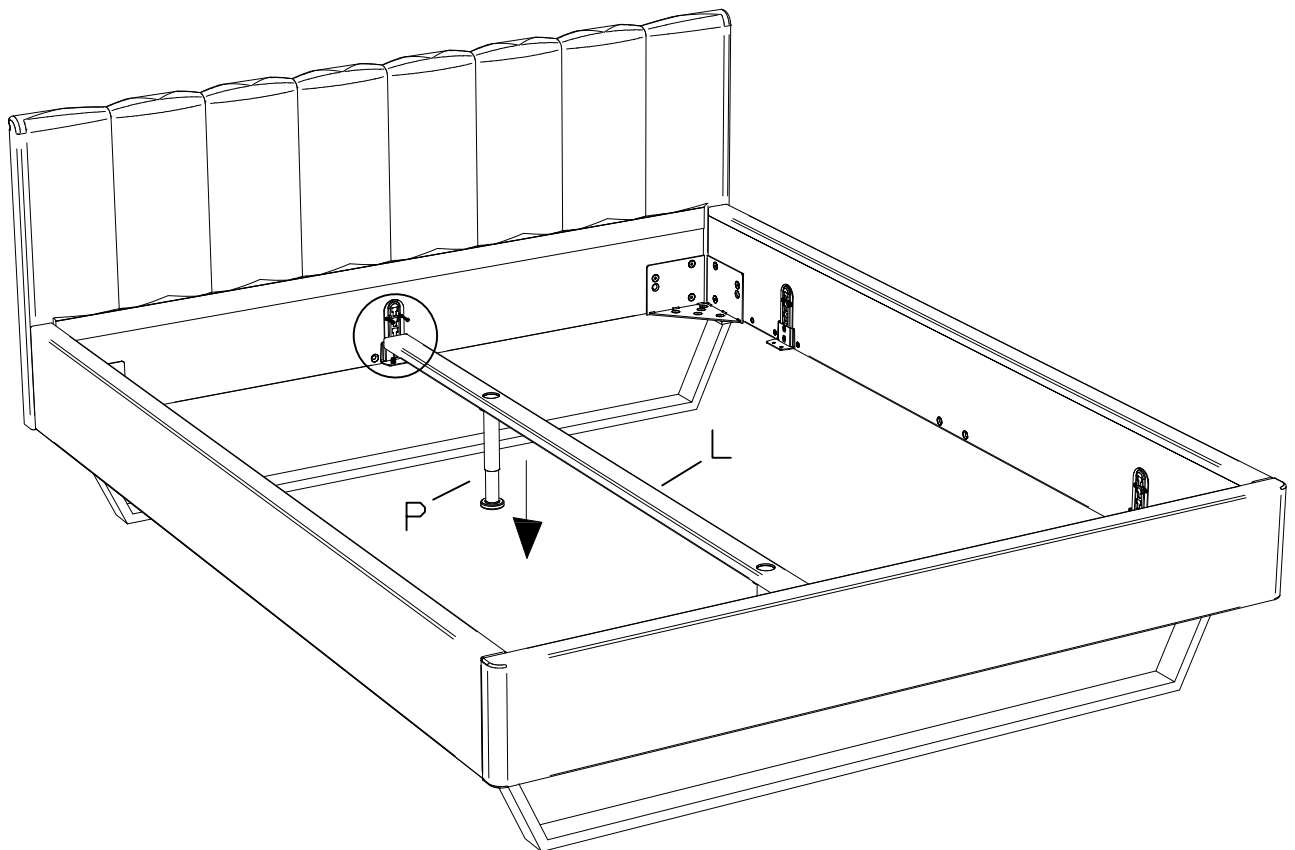
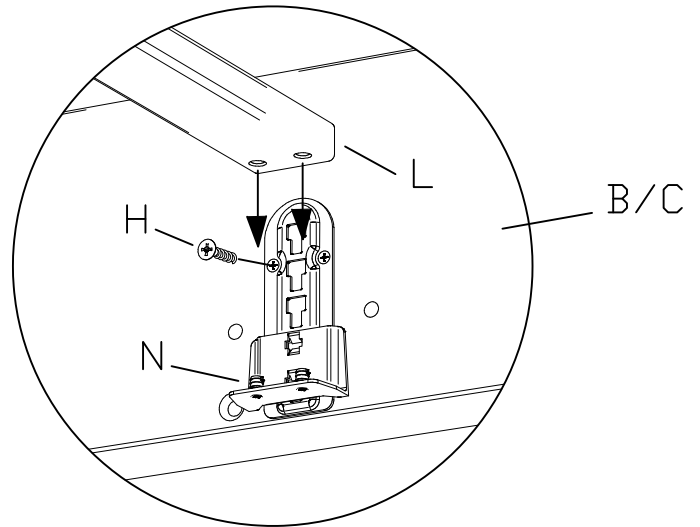
630.177

P x2



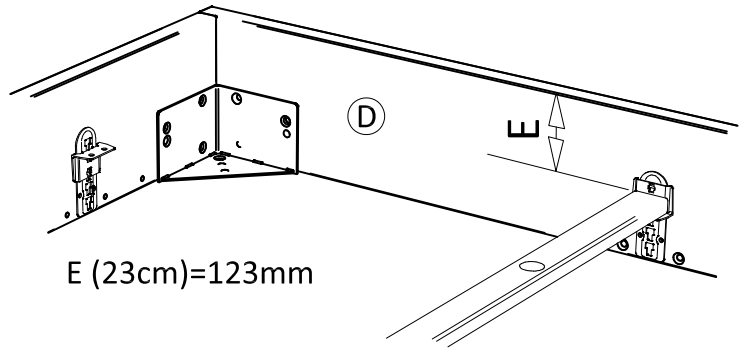
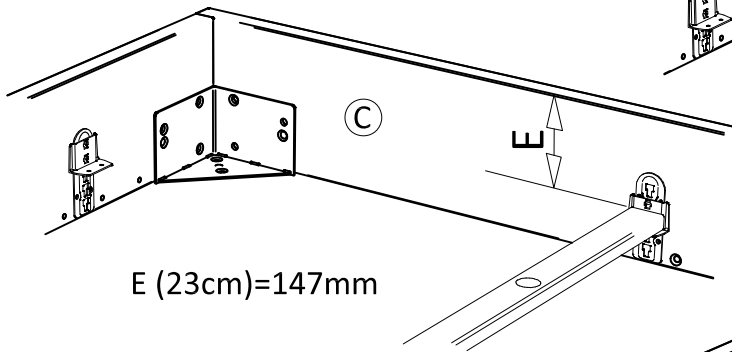
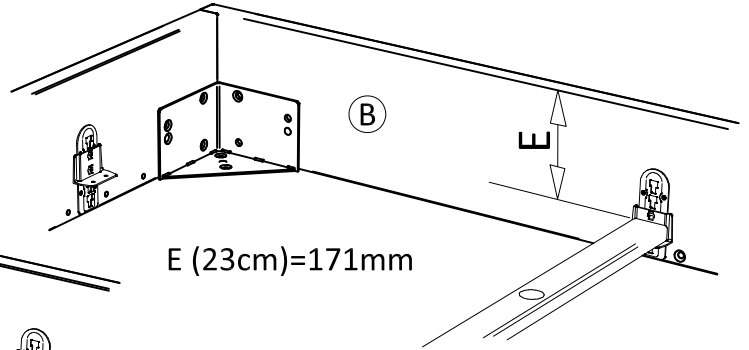
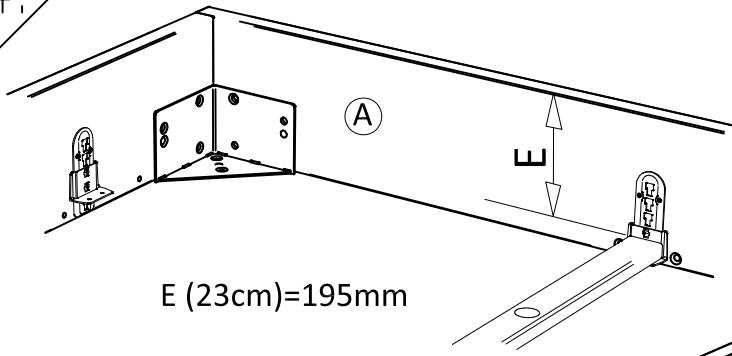
630.185

3.



4.

E = Einlegetiefe  
 E = hauteur encastrable  
 E = insertion depth  
 E = altezza incasso

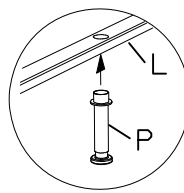


Bettfusshöhe  
 Height of feet for bed  
 Hauteur des pieds de lit  
 Altezza piede

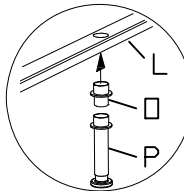
Mittelfusshöhe  
 Height of middle feet  
 Hauteur des pieds médians  
 Altezza piede centrale



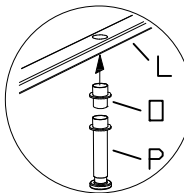
A / B



C / D



A / B



C / D

